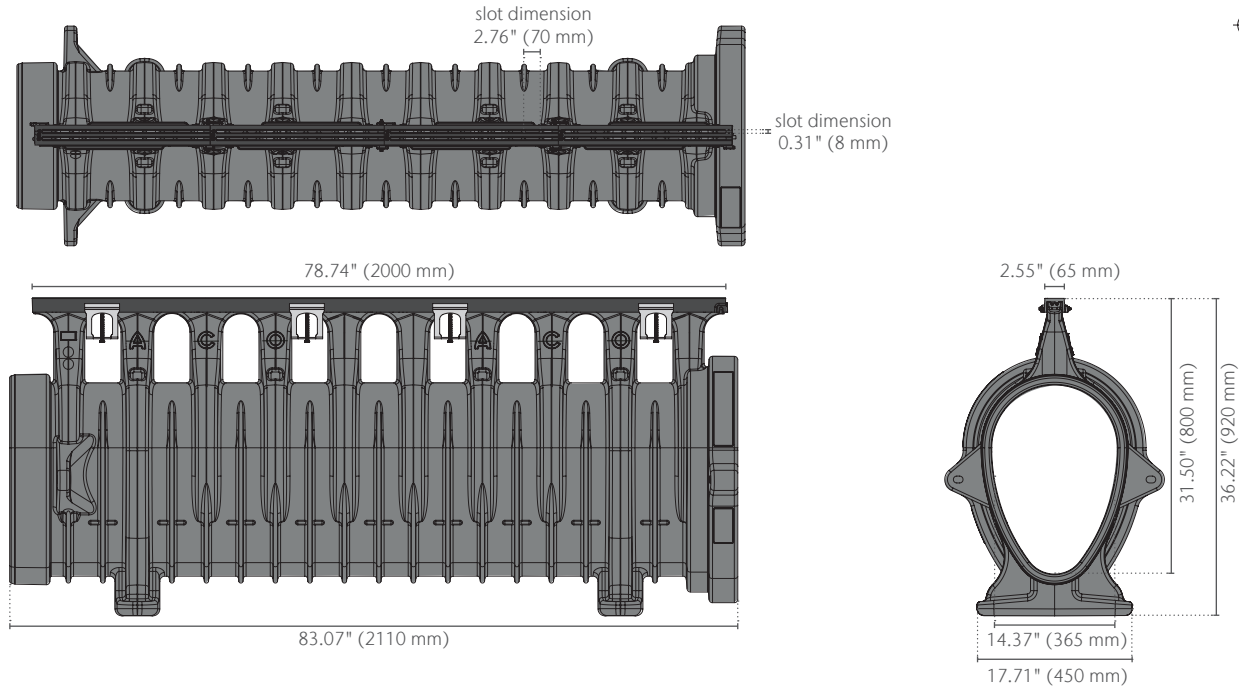


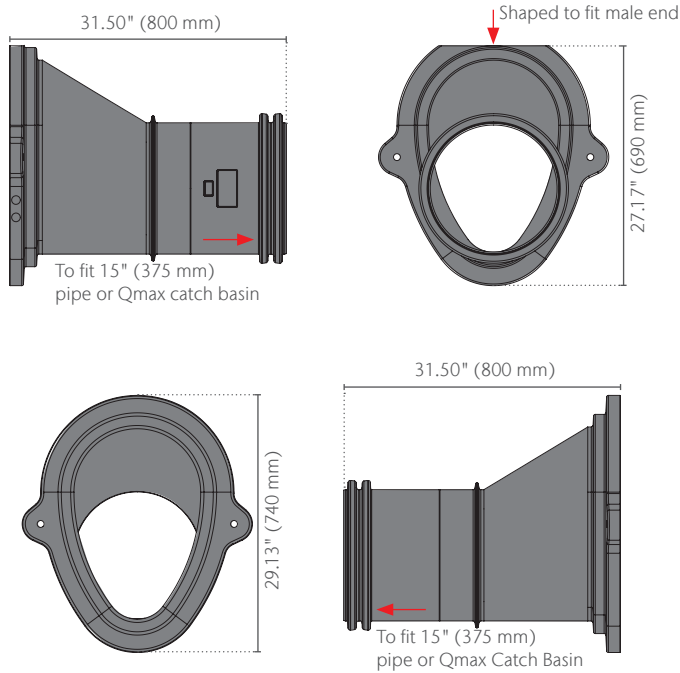
365 Channel with Q-Guard Ductile Iron Rail



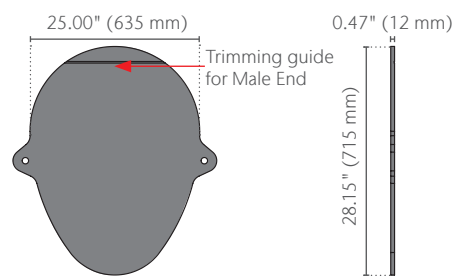
Two Meter Channel



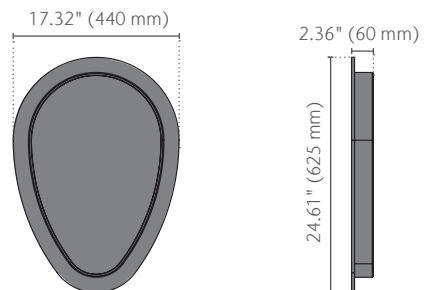
Outlet Flume/Catch Basin Connectors



Closing End Plate



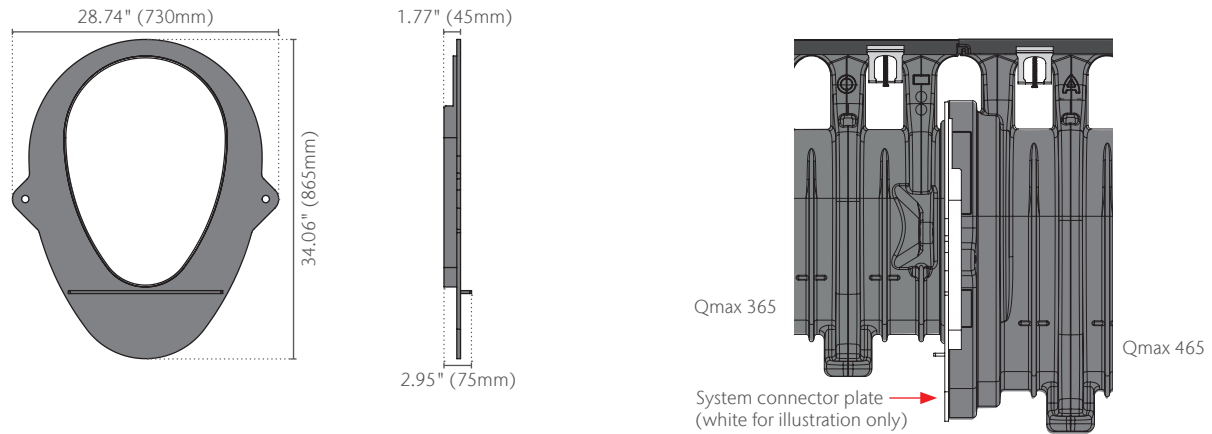
Closing End Cap



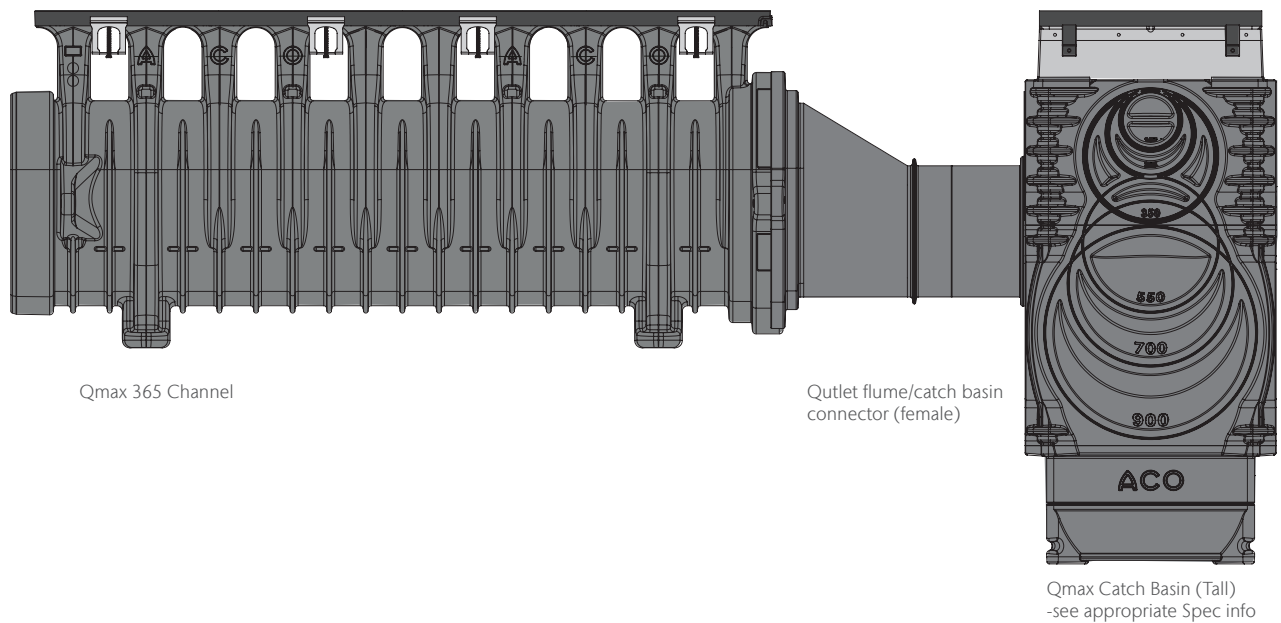
365 Channel with Q-Guard Ductile Iron Rail



Qmax 365 to 465 System Connection



Typical Qmax 365 Connection to Catch Basin



365 Channel with Q-Guard Ductile Iron Rail



Product Name	Part No.	Invert Depth in (mm)	Weight lbs
Qmax 365 Channel with Q-Guard Ductile Iron Rail - 78.75" (2000 mm)	32821	31.50 (800)	99.0
Accessories			
Qmax 365 Closing end plate (Fits male/female end of uncut channels)	32825	-	7.7
Qmax 365 Closing end cap (Easy push fit cap for cut channel ends)	32886	-	4.6
Qmax 365 to Qmax 465 System connector plate	32882	-	5.5
Qmax 365 Outlet flume/catch basin connector (male)	44360	-	12.5
Qmax 365 Outlet flume/catch basin connector (female)	44361	-	12.8

Specification Summary

General

The surface drainage system shall be ACO Qmax 365 with Ductile Iron Q-Guard ADA compliant top as manufactured by ACO, Inc. or equal approved.

Grates

Grates shall be factory fitted to MDPE bodies to provide a monolithic unit. Water intake area per 2 meter unit will be 33.87 in² (21,850 mm²)

Catch Basin

See appropriate spec info for catch basin information.

Installation

The trench drain system shall be installed in accordance with the manufacturer's installation instructions and recommendations.

Materials

The trench system bodies shall be manufactured from medium density polyethylene with:

- Compressive strength: 8,450 psi
- Flexural strength: 2,224 psi
- Water absorption 0.31%

The nominal clear opening shall be 14.37" (365 mm) with unit overall width of 17.71" (450 mm). Units shall be manufactured with a neutral invert of 31.50" (800 mm). Each unit will feature a full radius in the channel bottom and a male to female interconnecting end profile, a rubber seal shall be fitted to the bell end of the channel unit. Units shall have molded anchoring features on the outside wall to ensure maximum mechanical bond to the surrounding bedding material and pavement surface.



ADA-compliant per The Americans with Disabilities Act of 2010, Section 302.3

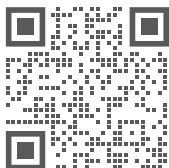


EN1433 Load Class F
202,328 lbs – 4,177 psi

ACO, Inc.

© January 2026 ACO, Inc.

All reasonable care has been taken in compiling the information in this document. All recommendations and suggestions on the use of ACO products are made without guarantee since the conditions of use are beyond the control of the company. It is the customer's responsibility to ensure that each product is fit for its intended purpose and that the actual conditions of use are suitable. ACO, Inc. reserves the right to change products and specifications without notice.



info@acousa.com
www.acousa.com

